



# Performa™

## 60" AFD bath/shower w/ AIP backerboards

### 71040118



#### Features

- 17-1/4 (438 mm) apron.
- Tongue-and-groove walls with snap-together installation.
- High-gloss walls.
- Full caulking required in all seams.
- Acrylic towel bar.
- Aging in Place backerboards.
- 3" (76 mm) drain-to-floor clearance for above-floor drain installation.

#### Material

- Made from solid Vikrell® material for strength, durability, and lasting beauty.

#### Installation

- Alcove.
- Left drain.

#### Recommended Products/Accessories

- K-23726 Drain treatment
- K-23733 Vikrell® cleaner

#### Included Components

Product consists of:

- 71041112 60" x 29" AFD bath
- 71044106 60" x 30-1/4" bath/shower wall set w/AIP backerboards



#### Codes/Standards



- CSA B45.5/IAPMO Z124
- ASTM E162
- ASTM E662
- HUD, UM Bulletin 73

#### Warranty – Bathing Fixtures (and Kitchen and Utility Sinks Made of Solid Vikrell® Material)

See website for detailed warranty information.

#### Available Colors/Finishes

*Color tiles intended for reference only.*

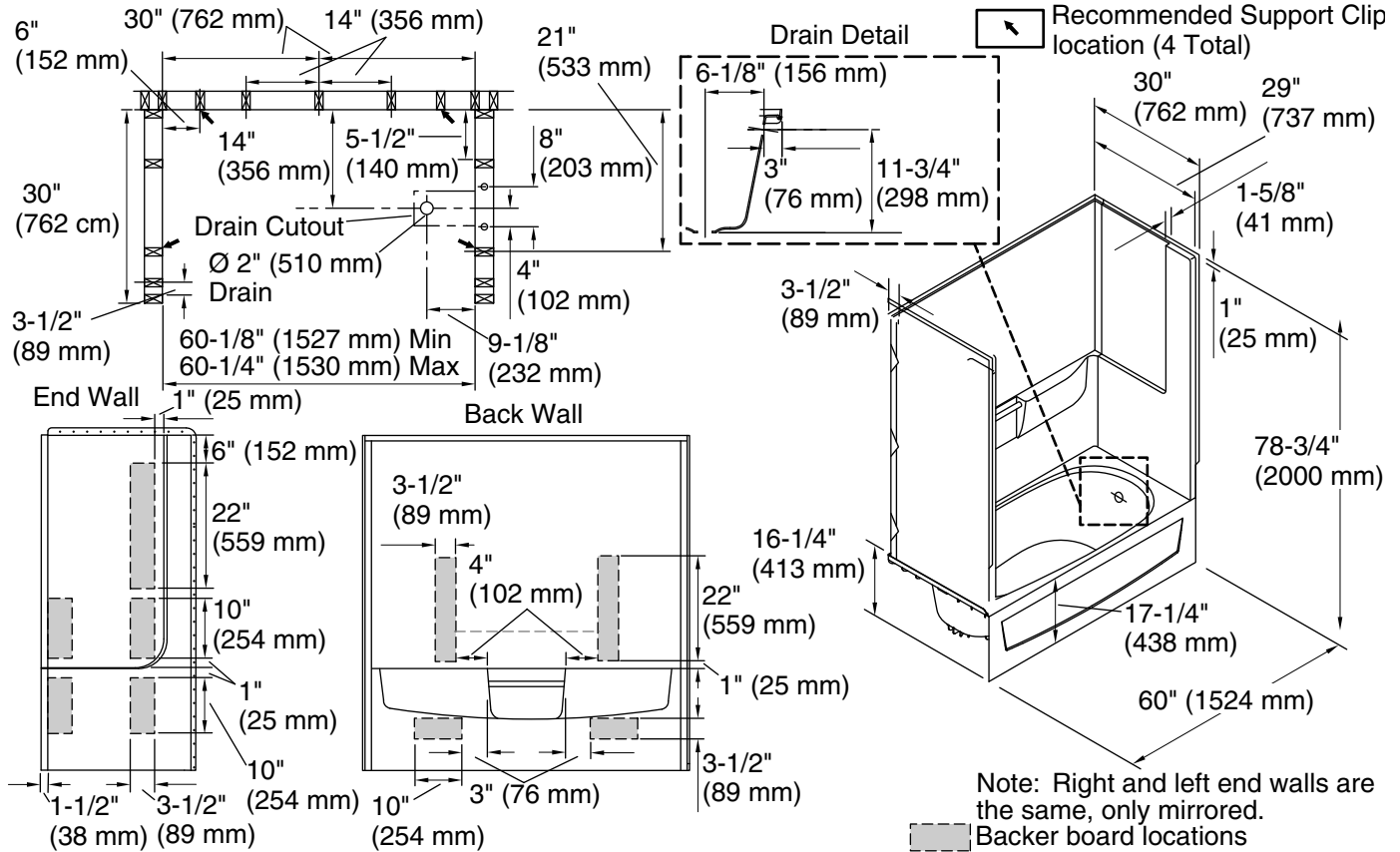
| Color   | Code | Description    |
|---|------|----------------|
|  | 0    | White          |
|  | 96   | KOHLER Biscuit |

1-800-STERLING (1-800-783-7546)

Kohler Co. reserves the right to make revisions without notice to product specifications.

For the most current Specification Sheet, go to [www.sterlingplumbing.com](http://www.sterlingplumbing.com).

5-29-2021 21:07 - US/CA



### Technical Information

All product dimensions are nominal.

|                      |                              |
|----------------------|------------------------------|
| Installation:        | Three-wall alcove            |
| Drain location:      | Left                         |
| Basin area, bottom:  | 21" x 39" (533 mm x 991 mm)  |
| Basin area, top:     | 24" x 53" (610 mm x 1346 mm) |
| Water depth:         | 10-1/4" (260 mm)             |
| Water capacity:      | 35 gal (132.5 L)             |
| Maximum door height: | 59-1/2" (1511 mm)            |
| Maximum door width:  | 56-3/4" (1441 mm)            |

### Notes

Install this product according to the installation instructions.

Studs should be positioned roughly as shown.

Double studding is recommended for pivot shower door installations.

Attach grab bars at the specified backerboard locations only.